

RE71 TEMPERATURE CONTROLLER

FEATURES:

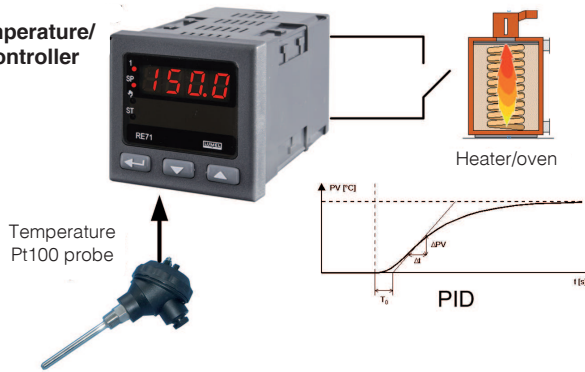
- IP65
- Auto tuning
- SMART PID
- ON/OFF control
- Password protection



- Control acc. to the PID or ON/OFF algorithm.
- Direct co-operation with resistance thermometer or thermocouple sensors.
- Automatic selection of PID parameters.
- One control output, relay output or voltage output for SSR relay control.
- Manual control mode.

EXAMPLE OF APPLICATION

RE71 - temperature/process controller



Automatic control of the heater using the PID algorithm with autotuning function

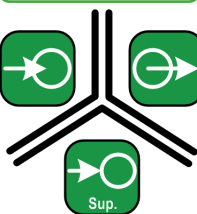
INPUTS:



OUTPUTS:



GALVANIC ISOLATION:



INPUTS

Sensor type	Range [°C]	Basic error [°C]	Remarks	Additional error	
Resistance thermometer (acc. to EN 60751), measuring current 0.25mA					
Pt100*)	-50..100	±0.8	Resistance of the sensor line < 10 Ω; one must connect with wires of the same section and length	Additional errors in rated operating conditions caused by: <ul style="list-style-type: none"> • compensation of reference junction temperature changes ≤2°C • change of the ambient temperature ≤100% of the basic error/10K 	
	0..250	±1.3			
	0..600	±3.0			
Thermocouple of J type (acc. to PN-EN 60584-1)					
Fe-CuNi	0..250	±2.0			
	0..600	±3.0			
	0..900	±4.0			
Thermocouple of K type (acc. to PN-EN 60584-1)					
NiCr-NiAl	0..600	±3.0			
	0..900	±4.0			
	0..1300	±6.0			
Thermocouple of S type (acc. to PN-EN 60584-1)					
PtRh10-Pt	0..1600	±8.0			

OUTPUTS

Output kind	Properties
voltageless relay	switching contact, overload capacity: 5A/230V
binary voltage	voltage 6V, without isolation from the sensor side

PARAMETERS OF WORK

Detection of error in the measurement circuit:	thermocouple, Pt100	overflow of measuring range
Way of output operation	reverse: for heating	direct: for cooling
Signalling:	active output, set point value display, auto-tuning, manual control	

Export department:
 English: +48 68 32 95 302 / 321 / 276 / 386 / 233
 German: +48 68 32 95 305
 French: +48 68 32 95 304
 Russian: +48 68 32 95 321
 Fax: +48 68 32 54 091
 e-mail: export@lumel.com.pl

LUMEL S.A.
 ul. Sulechowska 1
 65-022 Zielona Góra
 POLAND
WWW.LUMEL.COM.PL

EXTERNAL FEATURES

Weight	< 0.25 kg	
Dimensions	48 x 48 x 93 mm	
Protection grade (acc. to EN 60529)	ensured by the housing: IP65	from the terminal side: IP20

RATED OPERATING CONDITIONS

Supply voltage	230 V a.c. ± 10%, 50/60Hz	power consumption: < 4 VA
Temperature	ambient: 0...23...50°C	storage: -20...70°C
Relative humidity	≤ 85%	condensation inadmissible
Operating position	any	
Preheating time	30 min	
Averaging time	≥ 0.33 s	

SAFETY AND COMPATIBILITY REQUIREMENTS

Electromagnetic compatibility	Noise immunity	acc. to EN 61000-6-2
	Noise emissions	acc. to EN 61000-6-4
Isolation between circuits	basic	acc. to EN 61010-1
Pollution grade	2	
Installation category	III	
Maximal phase-to-earth operating voltage	for the supply circuit, outputs: 300 V for input circuit: 50 V	
Altitude above sea level	< 2000 m	

CONNECTION DIAGRAMS

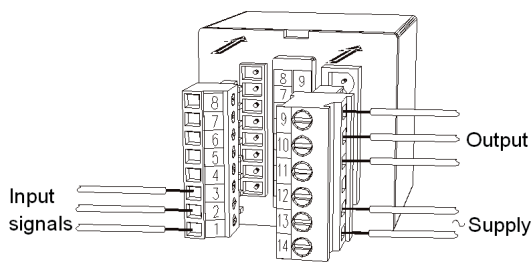


Fig. 1 View of the controller connection strips

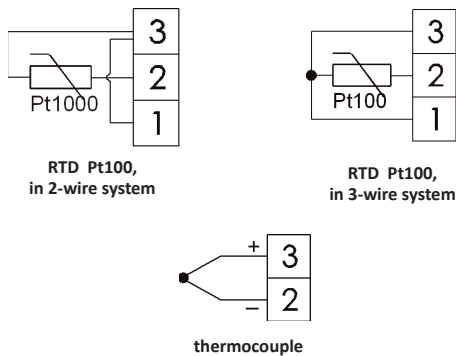


Fig. 2. Connections of input signals

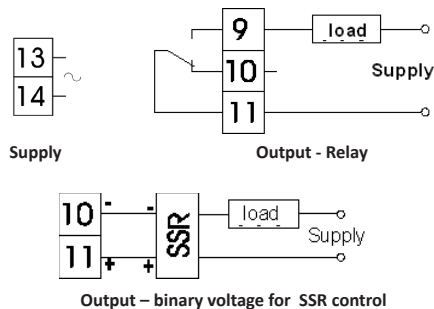


Fig. 3. Connections of the supply and load circuit

ORDERING

ORDERING CODES:

RE71 -	XX	X	X	X	X
Input signal:					
RTD Pt100 (-50...100°C)	01				
RTD Pt100 (0...250°C)	02				
RTD Pt100 (0...600°C)	03				
Thermocouple J (Fe-CuNi)(0...250°C)	04				
Thermocouple J (Fe-CuNi)(0...600°C)	05				
Thermocouple J (Fe-CuNi)(0...900°C)	06				
Thermocouple K (NiCr-NiAl)(0...600°C)	07				
Thermocouple K (NiCr-NiAl)(0...900°C)	08				
Thermocouple K (NiCr-NiAl)(0...1300°C)	09				
Thermocouple S (PtRh10-Pt)(0...1600°C)	10				
Output:					
relay		1			
binary 0/6 V for SSR control			2		
Version:					
standard				00	
custom-made*				XX	
Language:					
Polish					P
English					E
other*					X
Acceptance tests:					
without extra requirements					0
with a extra quality inspection certificate					1
acc. to customer's request*					X

* - after agreeing with the manufacturer

Order example:

The code **RE71 - 06 2 00 E 0** means:

- RE71** - temperature controller of RE71 type
- 06** - input: TC J, (0...900°C)
- 2** - output: binary 0/6 V for SSR control
- 00** - standard version
- E** - English language
- 0** - without extra requirements

SEE ALSO:



N25T meter for measurement of temperature from resistance thermometers and thermocouples sensors.



Look at our offer of different controllers on our website.



For more information about LUMEL's products please visit our website: www.lumel.com.pl

Export department:
English: +48 68 32 95 302 / 321 / 276 / 386 / 233
German: +48 68 32 95 305
French: +48 68 32 95 304
Russian: +48 68 32 95 321
Fax: +48 68 32 54 091
e-mail: export@lumel.com.pl
 LUMEL S.A.
 ul. Sulechowska 1
 65-022 Zielona Góra
 POLAND
WWW.LUMEL.COM.PL