

# Height adjustable unit

Controllable measurement  
point displacement **HFM 5**  
Option list



## Table of contents

---

	page
Dimensions	P2
Selection / Options	P3
Spare parts	P4
VN 2030	P5
RN 3002	P6
Electrical installation	P7

Subject to technical change.

All dimensions in mm (inches).

We assume no liability for typing errors.

All units of this pricelist are CE-certified.

Valid from 01.04.2010 until 31.03.2011 unless otherwise agreed.

By publishing this option list all other option lists become invalid.

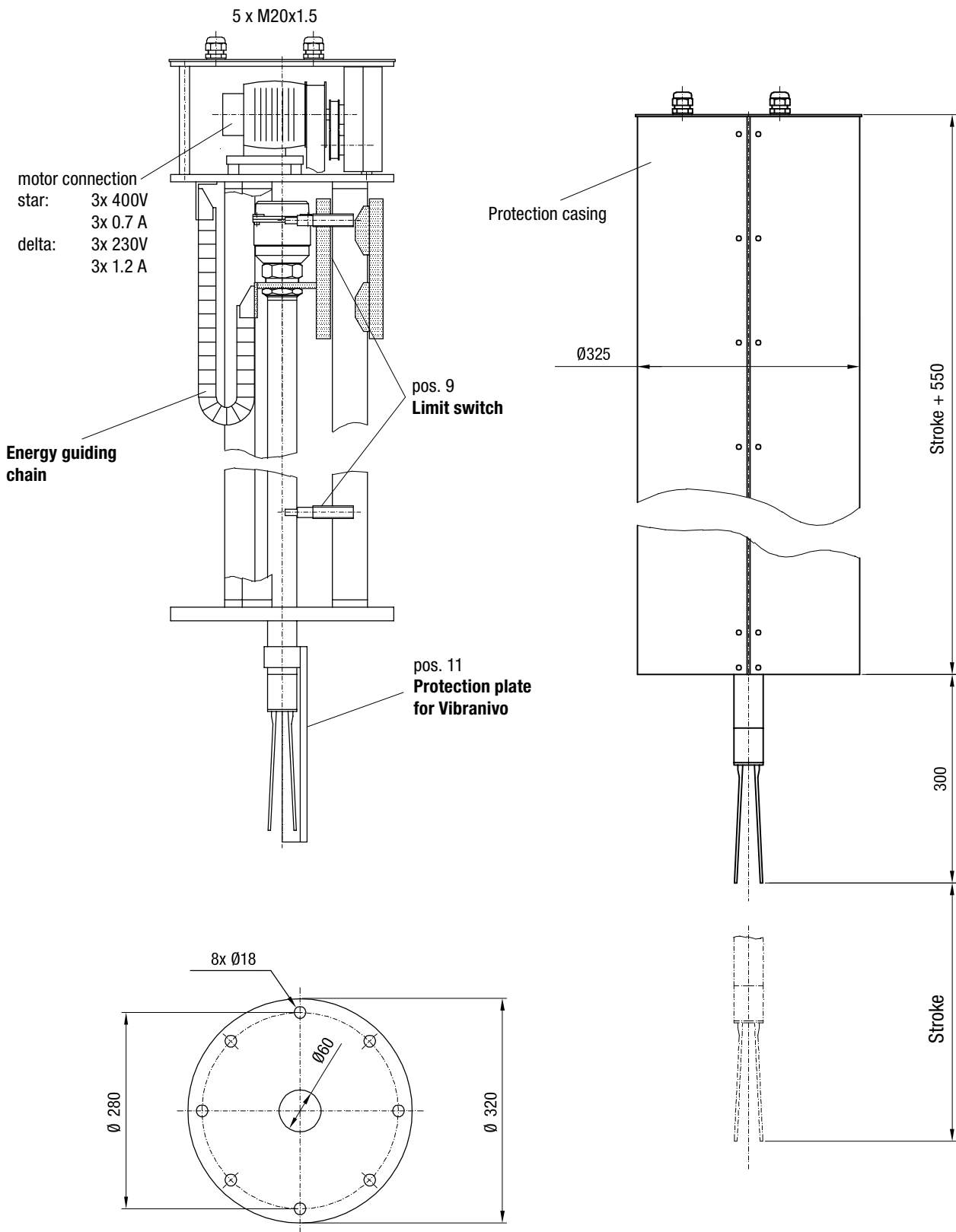
Different variations to those specified are possible.  
Please contact our technical consultants.

# Height adjustable unit

Controllable measurement  
point displacement **HFM 5**  
Option list



## Dimensions



Simply working

# Height adjustable unit

Controllable measurement  
point displacement **HFM 5**  
Option list



## Selection / Options HFM 5

### Selection

### Basic instrument HFM 5

- pos. 2      **Height variation unit executed for**
- A Vibranivo 2030 (not included in the price!) .....
- B Rotonivo 3002 (not included in the price!) .....
- pos. 3      **Adjustable route / stroke** (max. 2500mm)
- Z per started 100mm .....

Position	1	2	3	adjustable route / stroke max. 2500mm	
HFM 5	A		Z	L=	mm

← Order code

All positions are available with special equipment (use code "Z").

### Options

- pos. 9      **Limit switch**
- IG0006 (Twin-line, 10 – 250V AC/DC)** .....
- (ind. proximity switch from company IFM)
- NF 15+U1+E2 (PNP, 10 – 30V DC)** .....
- (ind. proximity switch from company Pepperl + Fuchs)
- 3 S E3 200 – 1E (1u pot.-free)** .....
- (mech. positions switch from company Siemens)
- IG 5401 (PNP, 10 – 36V DC)** .....
- (ind. proximity switch from company IFM)
- pos. 11      **protection plate for Vibranivo** .....

Special equipment on request.

# Height adjustable unit

Controllable measurement  
point displacement **HFM 5**  
Option list



## Spare parts

---

### Spare parts

gm301001	geared motor .....
hf301031	cog belt (price per 1 m) .....
lg300003	ball-bearing for running slide .....
lg300100	ball-bearing for pulley block .....
em302120	potentiometer .....
lg300120	felt stripper .....

# Height adjustable unit

Controllable measurement  
point displacement **HFM 5**  
Option list

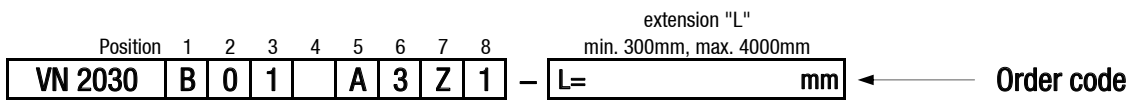


## Selection / Options / Dimensions VN 2030

### Selection

### Basic type VN 2030

- pos. 4                    **Power supply**
- D 18..50V DC PNP .....
- E 19..253V AC 19..60V DC relais (SPDT) .....
- 
- pos. 7                    **Length of extension "L" (V2A)**
- Z (starting from 0mm) per 100mm (3.94") or part thereof .....
- ("L"=stroke + 535mm)

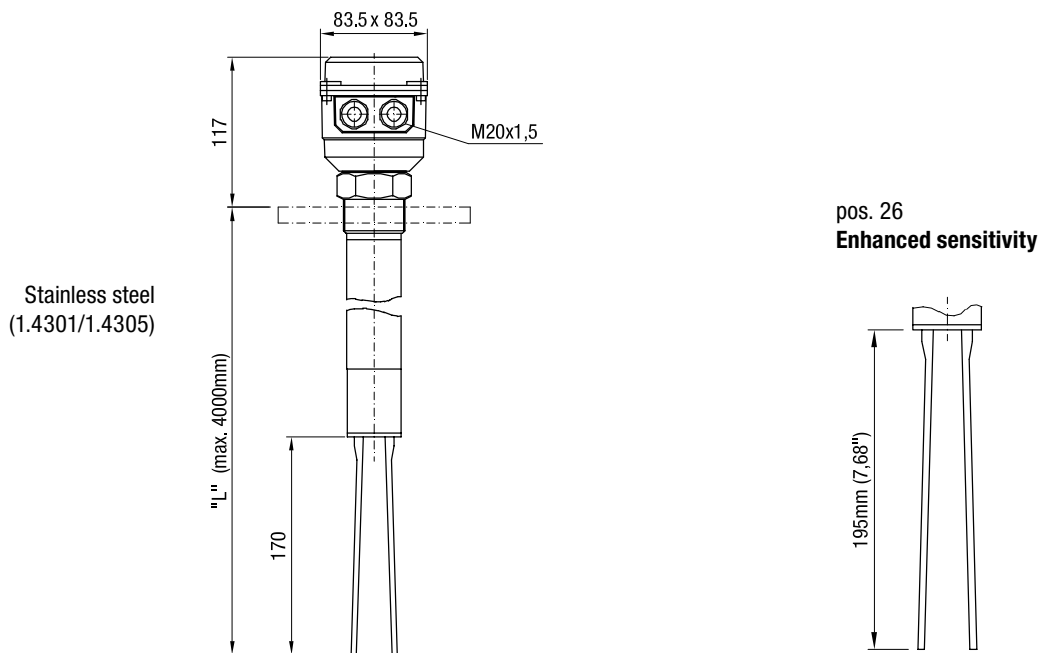


All positions are available in special design (use code "Z").

### Options

- pos. 26    **Enhanced sensitivity (>5g/l)** .....

### Dimensions VN 2030



# Height adjustable unit

Controllable measurement  
point displacement **HFM 5**  
Option list



## Selection / Dimensions RN 3002

### Selection with additional prices

### Basic type RN 3002

pos. 5

#### Power supply

- A 220..240V AC 50–60 Hz .....
- B 110..120V AC 50–60 Hz .....
- C 48V AC 50–60 Hz .....
- D 24V AC 50–60 Hz .....
- E 24V DC .....

pos. 8

#### Extension "L"

- Z each initial 100mm .....
- ("L" = stroke + 535mm)

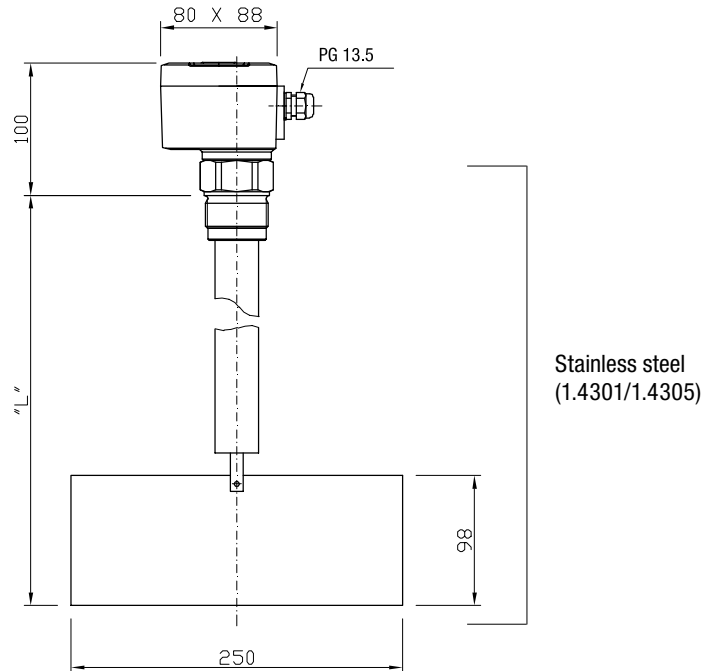
Position	1	2	3	4	5	6	7	8	9	10		
	RN	3002	B	0	1	1		A	3	Z	3	

- L=      mm

← Order code

All positions are available in special design (use code "Z").

## Dimensions RN 3002



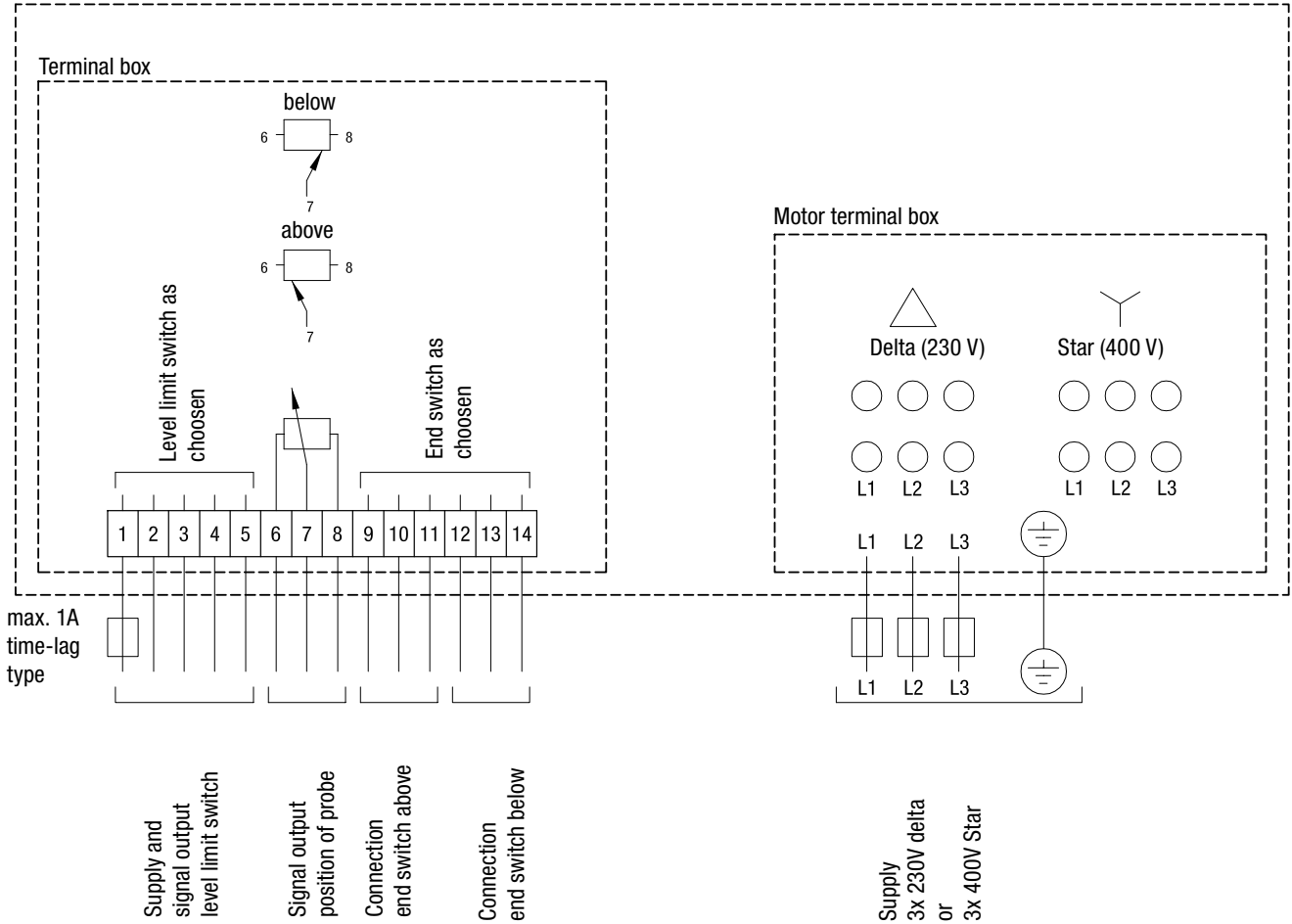
# Height adjustable unit

Controllable measurement  
point displacement **HFM 5**  
Option list



## Electrical connection

Height adjustable unit HFM 5



# Height adjustable unit

Controllable measurement  
point displacement **HFM 5**  
Option list

