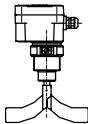
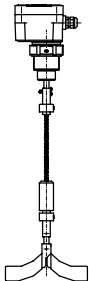
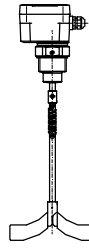


Table of contents

		page
Dimensions / Application RN 4001		P2
Short extension length		
Rope extension		
Pendulum shaft		

Selection / Options		P3

Measuring vanes / Options / Spare parts		P4

Electrical installation		P5

Redesigned
model from
autumn 2010

Subject to technical change.

All dimensions in mm (inches).

We assume no liability for typing errors.

All units of this pricelist are CE – certified.

Valid from 01.04.2010 until 31.03.2011 unless otherwise agreed.

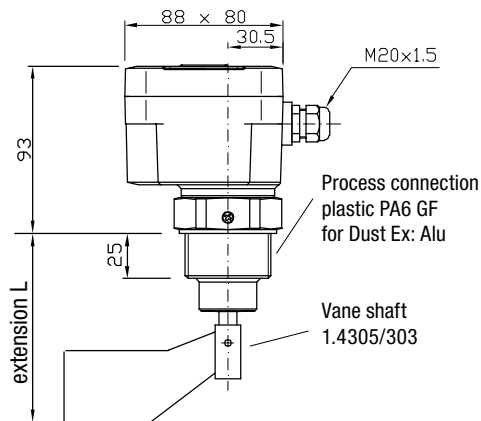
By publishing this option list all other option lists become invalid.

Different variations to those specified are possible. Please contact our technical consultants.

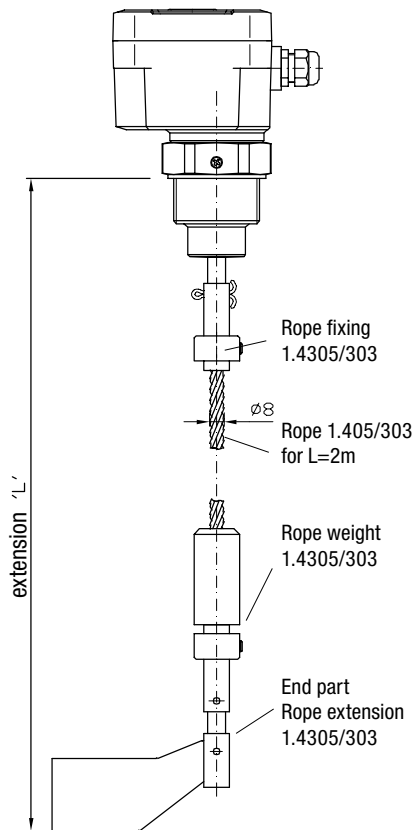
Dimensions / Application RN 4001

Dimensions

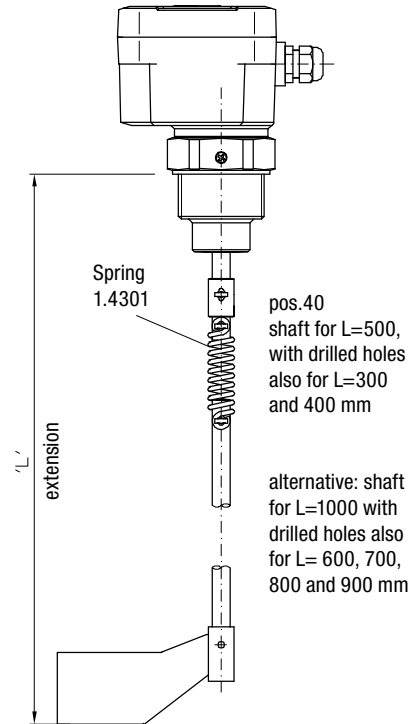
Type standard



With option „rope extension“
 (pos. 39, for mounting on site)



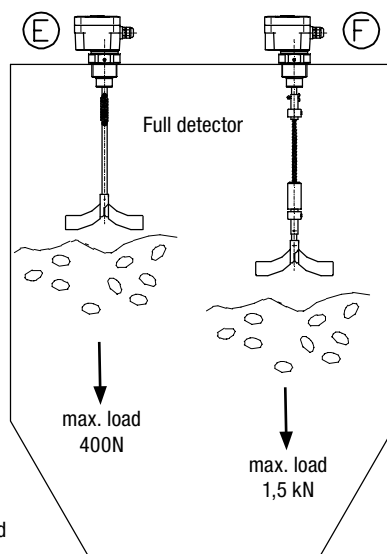
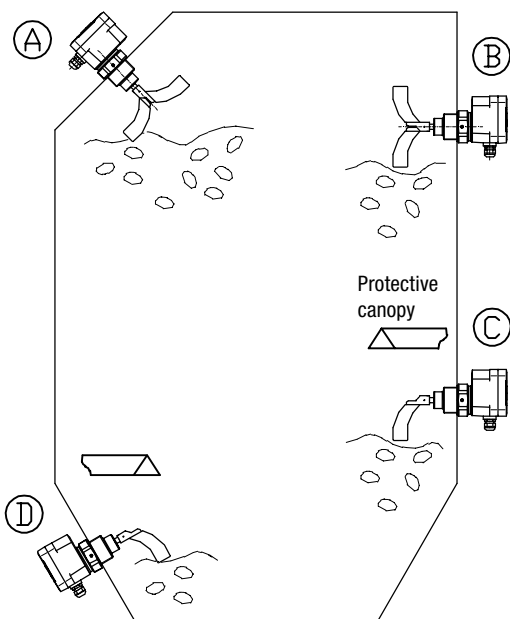
With option „pendulum shaft“
 (pos. 40, for mounting on site)



When necessary the shaft has to be cut approx. 10 to 15mm below the required hole.

Applications

- A Full detection vertical and oblique from the top
- B Full detection horizontal
- C Empty or demand detector horizontal. Protective canopy recommended. Use one sided vane.
- D Empty detector oblique from the bottom. Protective canopy recommended, use one sided vane
- E Full detection pendulum shaft.
- F Full detection with rope extension.



In case of empty detection, it is recommended to cut one side of the universal vane or to use a boot shaped vane. This prevents an excessive load due to the material.

Selection / Options RN 4001

Selection

Basic type RN 4001

- pos. 2 **Certificate**
 0 without
 W ATEX II 1/3 D (Dust Ex)
- pos. 3 **Power supply**
 A 220..240V AC 50–60 Hz
 B 110..120V AC 50–60 Hz
 C 48V AC 50–60 Hz
 D 24V AC 50–60 Hz
 E 24V DC
 M 230V AC/115V AC/24V DC multivoltage (not for Dust Ex)
- pos. 4 **Process connection** (plastic; for Dust Ex Alu)
 A thread G 1½ inches, DIN 228
 C thread G 1 inches, DIN 228
 D thread M32x1.5
 E thread M30x1.5
 G thread NPT 1 inch, conical ANSI B1.20.1
- pos. 6 **Measuring vane**
 A boot-shaped* 40 x 98 mm 1.4301/304 ... L=130
 R boot-shaped* 28 x 98 mm 1.4301/304 ... L=130
 K hinged vane 98 x 200 mm 1.4301/304 L=175 double sided
 U universal vane 27 x 150 mm plastic L=120

Position	1	2	3	4	5	6
RN 4001	A				1	

← **Order code**

All positions are available in special design (use code "Z")

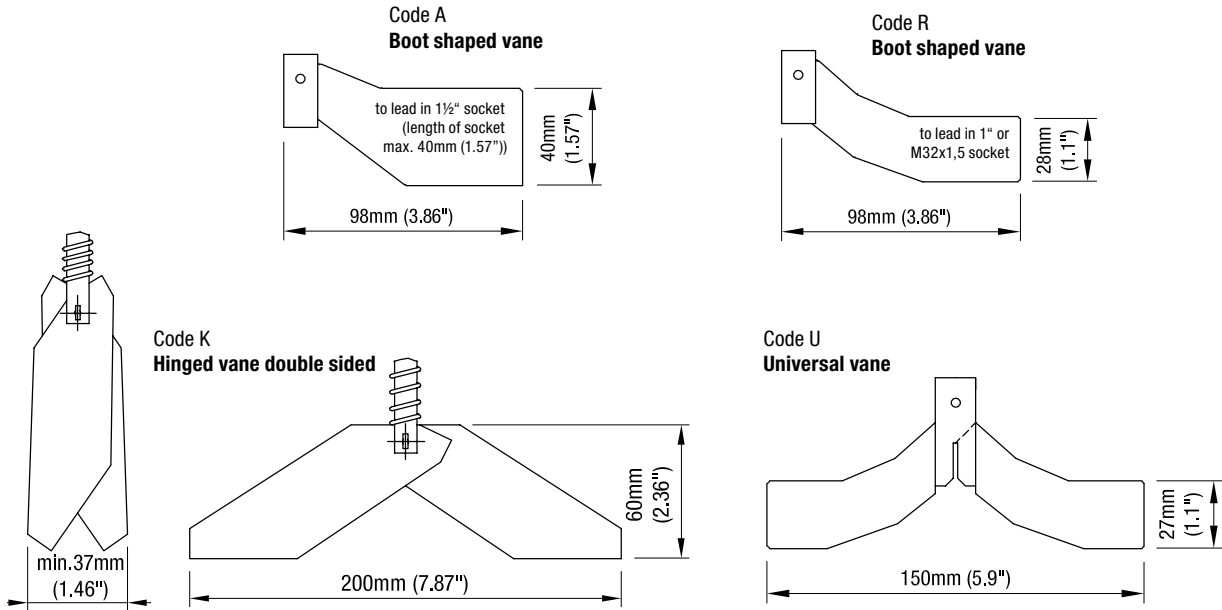
* maximum length of socket 40mm

Options

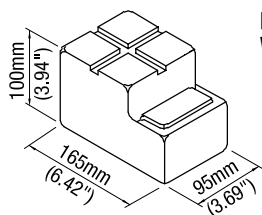
- pos. 21 **Weather protection cover**
- pos. 24 **Hexagon nut**
 aluminium G 1½ inches
 aluminium G 1inch, M32x1.5, M30x1.5
 stainless steel (1.4305/303) G 1½ inches
 stainless steel (1.4305/303) G 1inch, M32x1.5, M30x1.5
- pos. 28 **Second screwed cable gland M20x1,5 (not mounted)**
- pos. 37 **Signal display in the lid**
 (only for 24V DC and multivoltage) (not for Dust Ex)
- pos. 39 **Kit "rope extension"**
 L=2m
- pos. 40 **Kit "pendulum shaft"**
 L=500mm (drilled holes also for 300 and 400mm)
 L=1000mm (drilled holes also for 600, 700, 800 and 900mm)

Measuring vanes / Options / Spare parts

Measuring vanes

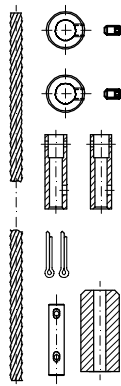


Options

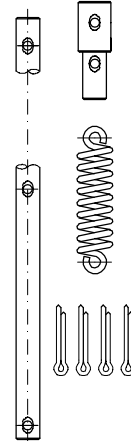


pos. 21
Weather protection cover

pos. 39
Kit „rope extension“

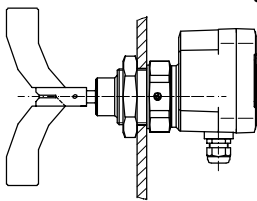


pos. 40
Kit „pendulum shaft“

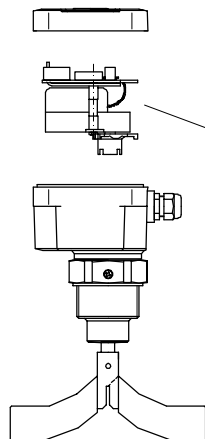


When necessary the shaft has to be cut approx. 10 to 15mm below the required hole.

Pos. 24
Hexagon nut



Spare parts

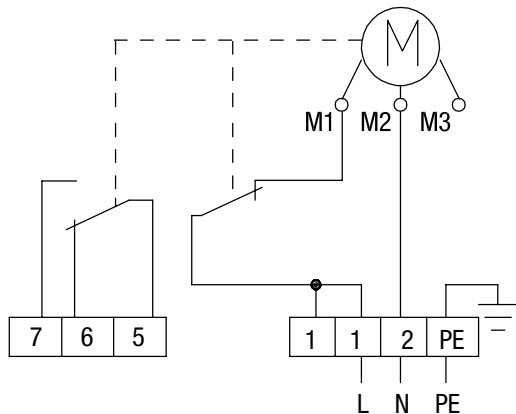


Motor / PCB

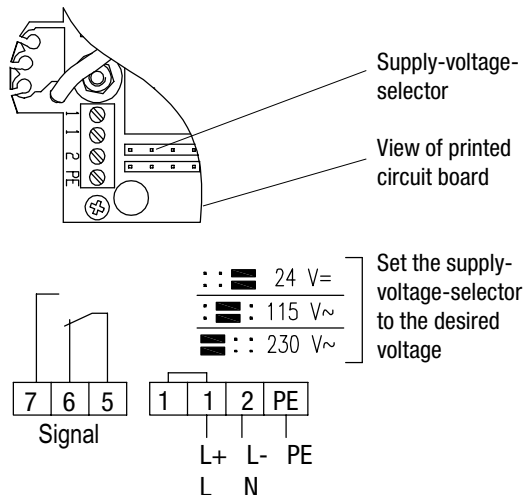
gm102000	220..240V	50–60Hz
gm102005	110..120V	50–60Hz
gm102015	48V	50–60Hz
gm102010	24V	50–60Hz
gm102020	24V DC	
gm102025	230V AC/115V AC/24V DC	(multivoltage)	(not for Dust Ex)

Electrical connection

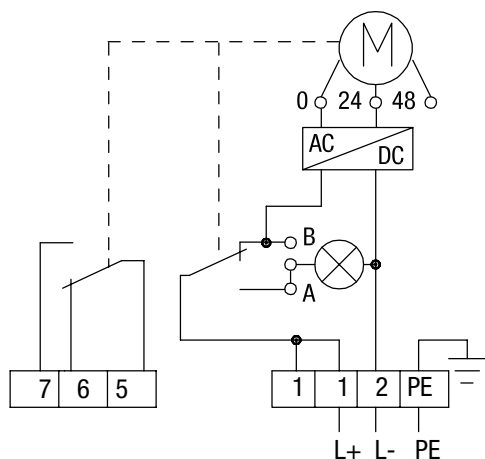
AC design



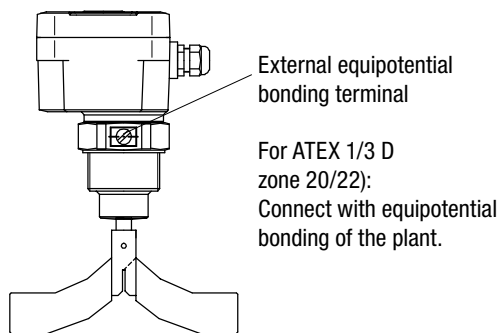
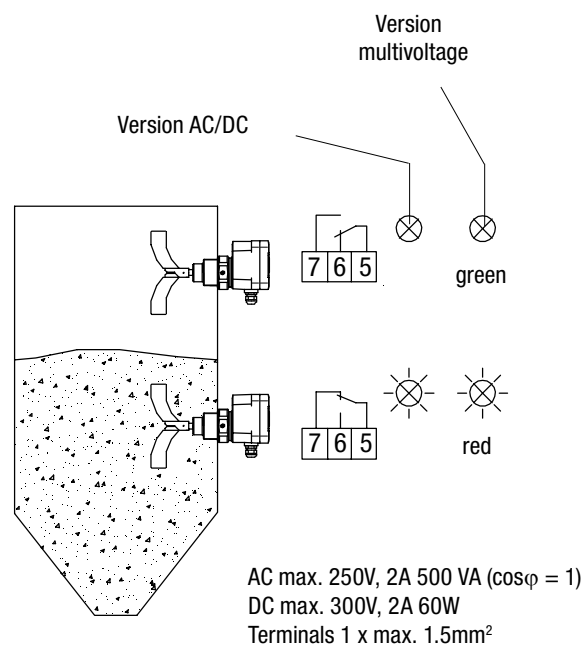
Multivoltage



DC design



Switching logic



Protection against static charging:

The PE terminal of the unit must be grounded to avoid static charging of the unit. This is particularly important for applications with pneumatic conveying.

